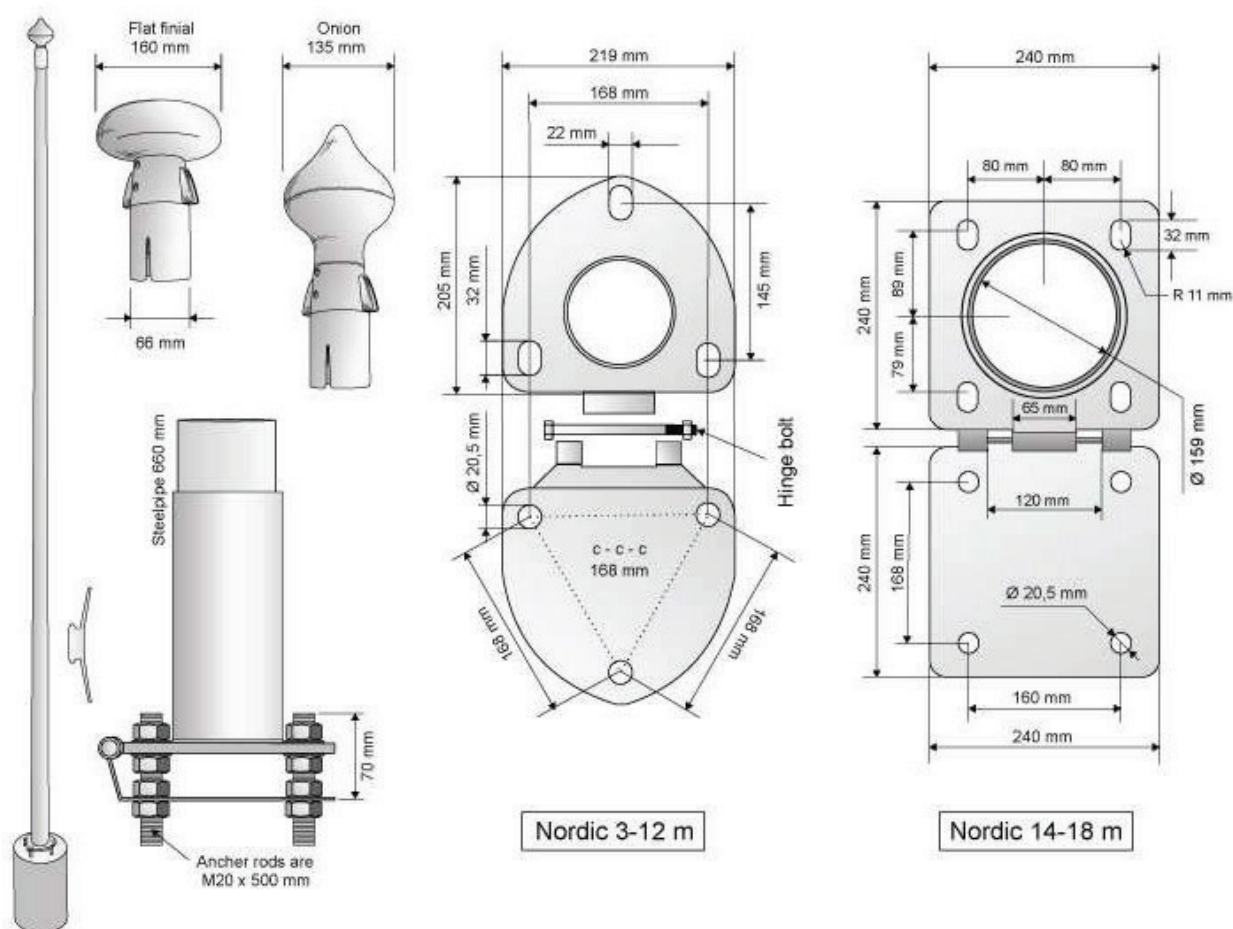


Dataark flaggstenger

	3m	4m	5m	6m	7m	8m	9m	10m	12m	14m	16m	18m
top diameter (mm)	65	65	65	65	65	65	65	65	65	65	65	65
bottom diameter (mm)	88*	96*	100*	120	120	120	120	140	140	175	175	175
fiberglass thickness (mm)	3	3	3	3	3	3	3	3,5	3,5	4,5	4,5	4,5
cylindrical length (mm)	0	0	0	0	0	0	0	500	2500	5500	7500	9500
height to cleat/lock (mm)	1200	1200	1200	1200	1200	1200	1200	1200	1200	1200	1200	1200
height to winch (mm)	n/a	n/a	n/a	630	630	630	630	630	630	970	970	970
length of the steel tube (mm)	630	630	630	630	630	630	630	630	630	630	630	630
thickness of the steel tube (mm)	2,5	2,5	2,5	2,5	2,5	2,5	2,5	3	3	3	3	3
diameter of the steel tube (mm)	76	76	89	102	102	102	102	121	121	159	159	159



Flaggstangsfabrikken AS

norskeflagg.no

Flagmore®