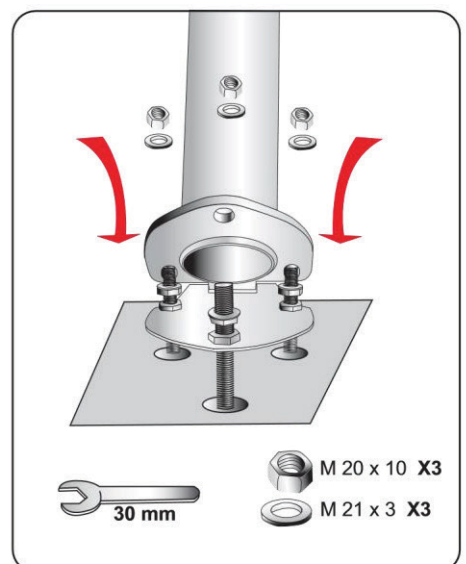
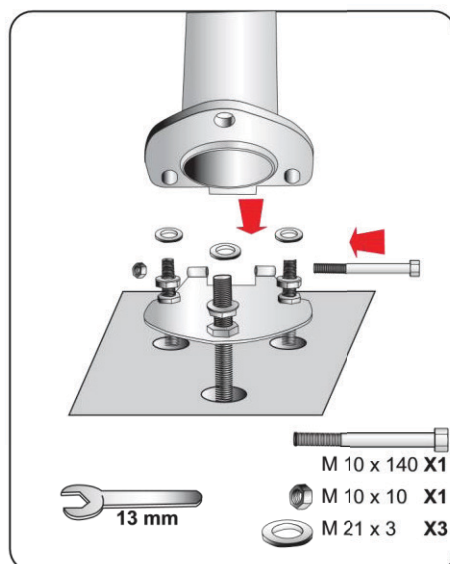
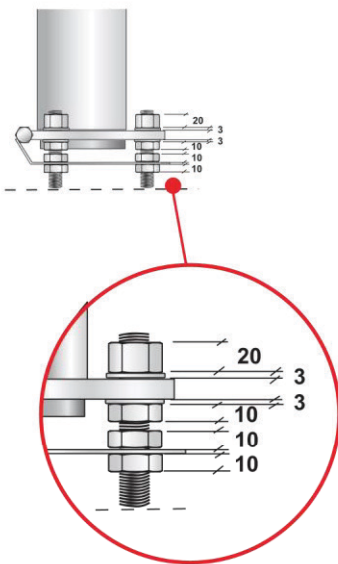
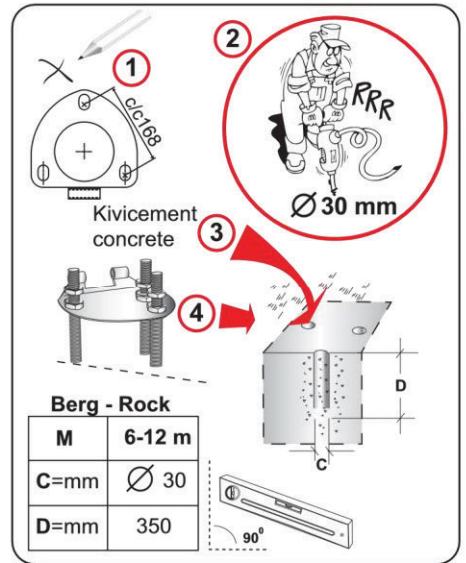
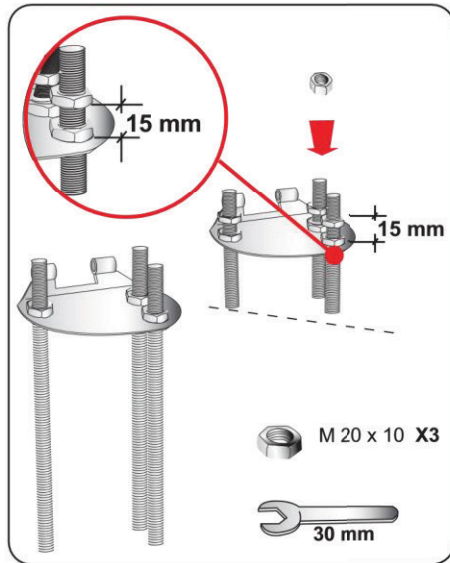
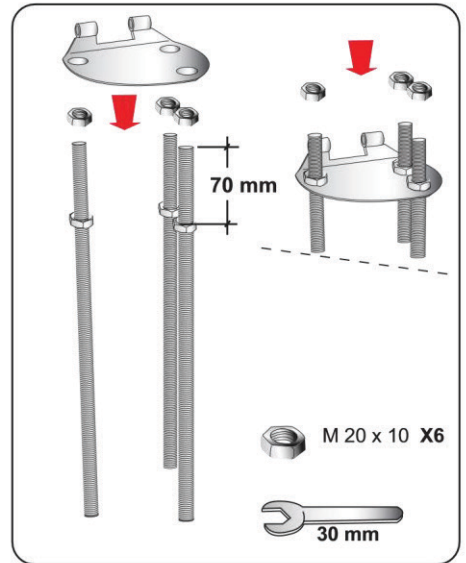
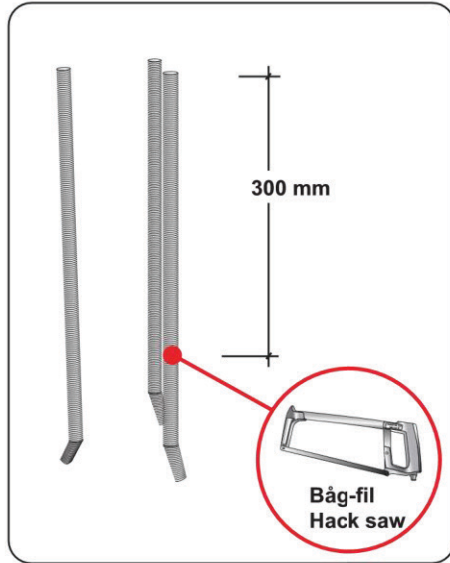


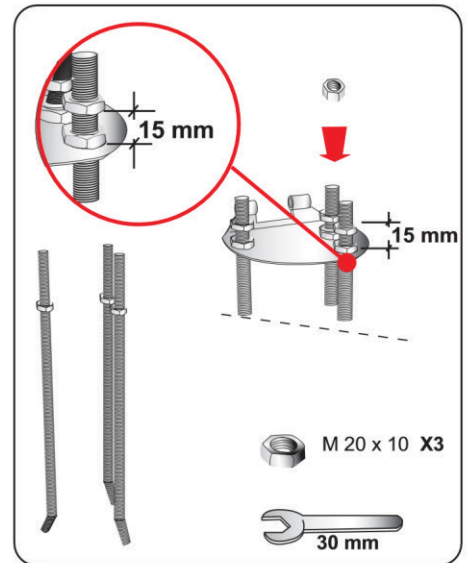
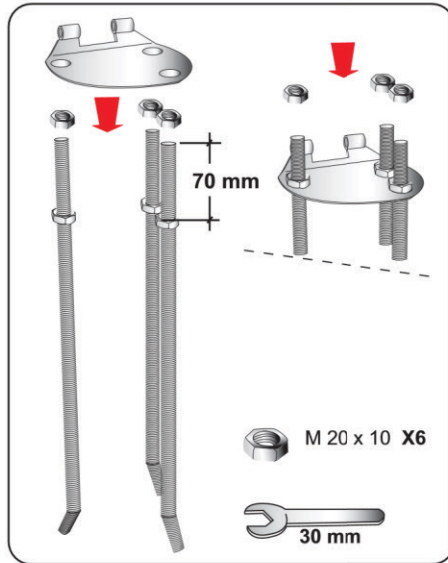
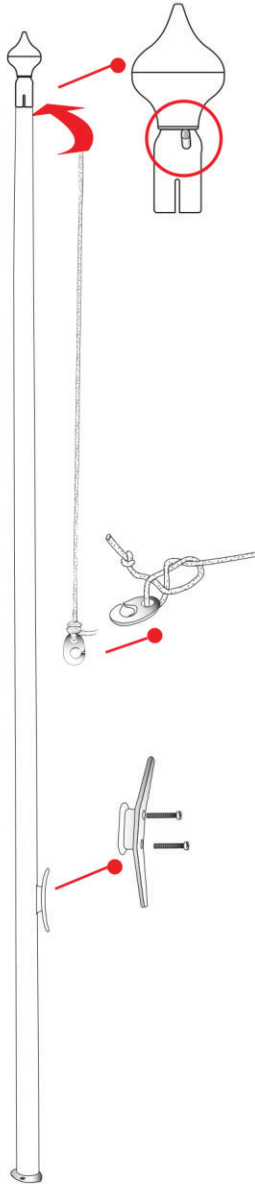


Nordic





Nordic



Mark - Ground

M	6-8 m	9 m	10 m	12 m
A= mm	300	300	400	400
B= mm	800	900	1000	1200

Labels in diagram: $\varnothing 300-400$ mm, A, B, 2-300 mm, 90°.

